

Rod Accessories

Accessoires de Tige

Zubehör für Zylinder



SERIE NX

Standard threaded tenon with brake

Noix d'attelage standard taraudée équipée de plaquette frein

Kupplungen mit Standardgewinde

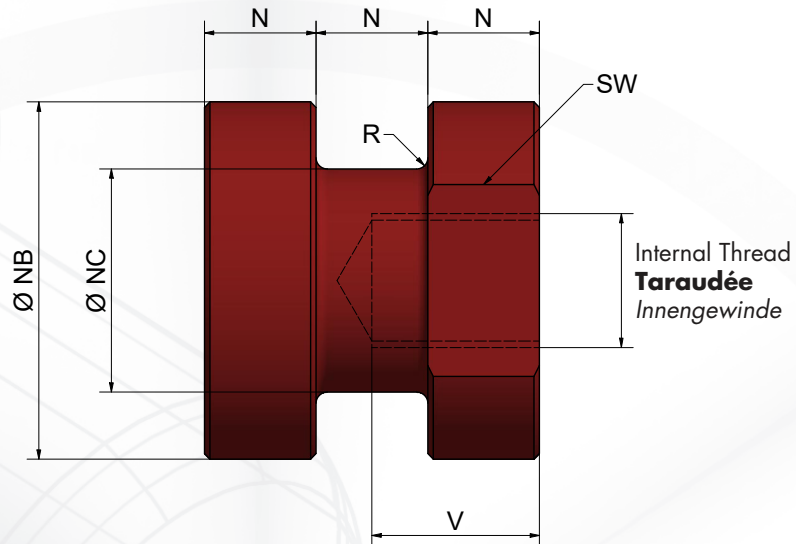
Hitch standard pitch threaded with brake pad, cylinder bore 25 mm to 125mm

**Noix d'attelage standard taraudée en pas fin équipée de plaquette frein,
alésage vérin 25 mm à 125 mm**

Kupplungen für Kolbendurchmesser 25mm bis 125mm

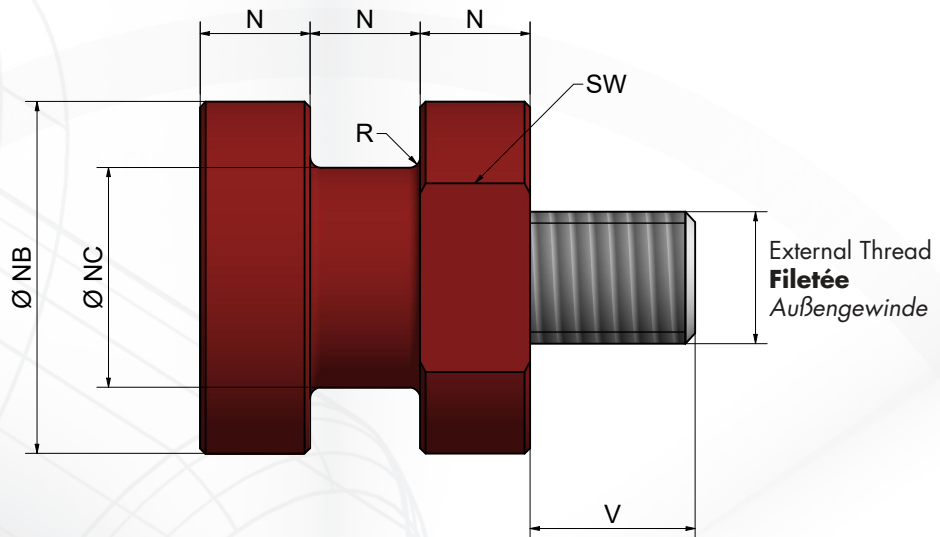


NXT



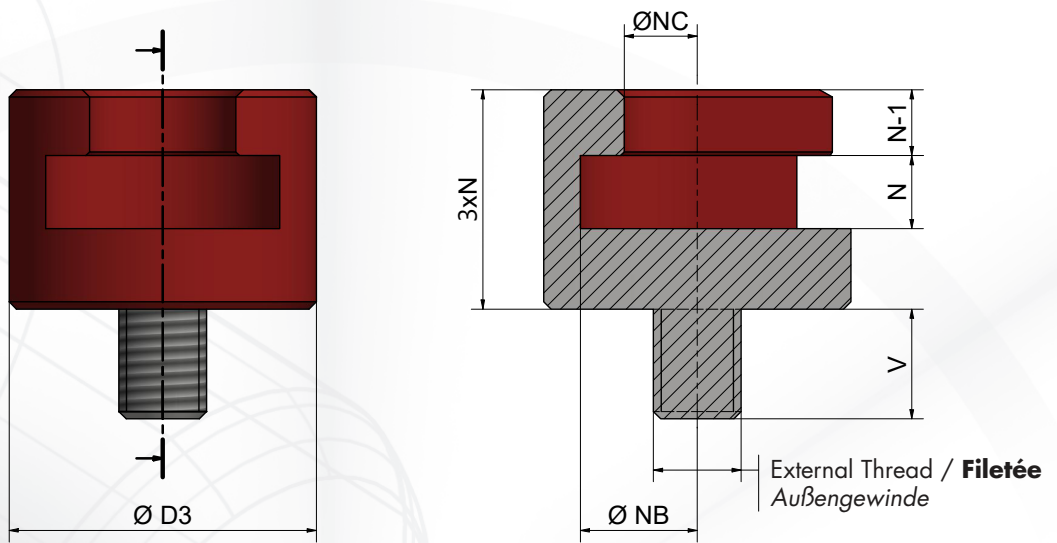
Ø NB	Ø NC	N	R	SW	V	Internal Thread Taraudée / Innengewinde	Part number / Référence Bestellnummer
12	8	5	0,5	10	10	M6x1	NXT12M6
16	10	6	0,5	13	15	M8x1.25	NXT16M8
20	10	6,5	1	17	15	M8x1.25	NXT20M8
25	16	7	1	22	15	M8x1.25	NXT25M8
						M10x1.5	NXT25M10
						M12x1.75	NXT25M12
						M12x1.25	NXT25M12F
32	20	10	1	27	15	M8x1.25	NXT32M8
						M10x1.5	NXT32M10
						M12x1.75	NXT32M12
						M12x1.25	NXT32M12F
40	26	12	1,5	36	20	M12x1.75	NXT40M12
						M12x1.25	NXT40M12F
						M16x2	NXT40M16
						M16x1.5	NXT40M16F
50	32	14	1,5	46	25	M16x2	NXT50M16
						M16x1.5	NXT50M16F
						M20x2.5	NXT50M20
						M20x1.5	NXT50M20F
62	42	17	2	56	30	M20x2.5	NXT62M20
						M20x1.5	NXT62M20F
						M27x3	NXT62M27
						M27x2	NXT62M27F
79	52	20	2	75	40	M27x3	NXT79M27
						M27x2	NXT79M27F
						M33x3.5	NXT79M33
						M33x2	NXT79M33F
95	64	24	2	88	50	M33x3.5	NXT95M33
						M33x2	NXT95M33F
						M42x4.5	NXT95M42
						M42x2	NXT95M42F
122	80	28	2	115	63	M42x4.5	NXT122M42
						M42x2	NXT122M42F
						M48x5	NXT122M48
						M52x2	NXT122M52F

NXF



Ø NB	Ø NC	N	R	SW	V	External Thread Fileté / Außengewinde	Part number / Référence Bestellnummer
12	8	5	0,5	10	10	M6x1	NXF12M6
16	10	6	0,5	13	15	M8x1.25	NXF16M8
20	10	6,5	1	17	15	M8x1.25	NXF20M8
25	16	7	1	22	15	M8x1.25	NXF25M8
						M10x1.5	NXF25M10
						M12x1.75	NXF25M12
						M12x1.25	NXF25M12F
32	20	10	1	27	15	M8x1.25	NXF32M8
						M10x1.5	NXF32M10
						M12x1.75	NXF32M12
						M12x1.25	NXF32M12F
40	26	12	1,5	36	20	M12x1.75	NXF40M12
						M12x1.25	NXF40M12F
						M16x2	NXF40M16
						M16x1.5	NXF40M16F
50	32	14	1,5	46	25	M16x2	NXF50M16
						M16x1.5	NXF50M16F
						M20x2.5	NXF50M20
						M20x1.5	NXF50M20F
62	42	17	2	56	30	M20x2.5	NXF62M20
						M20x1.5	NXF62M20F
						M27x3	NXF62M27
						M27x2	NXF62M27F
79	52	20	2	75	40	M27x3	NXF79M27
						M27x2	NXF79M27F
						M33x3.5	NXF79M33
						M33x2	NXF79M33F
95	64	24	2	88	50	M33x3.5	NXF95M33
						M33x2	NXF95M33F
						M42x4.5	NXF95M42
						M42x2	NXF95M42F
122	80	28	2	115	63	M42x4.5	NXF122M42
						M42x2	NXF122M42F
						M48x5	NXF122M48
						M52x2	NXF122M52F

NXZ



Ø D3	Ø NB	Ø NC	N	V	External Thread Filetée / Außengewinde	Part number / Référence Bestellnummer
17	12	8	5	10	M6x1	NXZ12M6
22	16	10	6	15	M8x1.25	NXZ16M8
26,5	20	10	6,5	15	M8x1.25	NXZ20M8
32	25	16	7	15	M8x1.25	NXZ25M8
					M10x1.5	NXZ25M10
					M12x1.75	NXZ25M12
					M12x1.25	NXZ25M12F
42	32	20	10	15	M8x1.25	NXZ32M8
					M10x1.5	NXZ32M10
					M12x1.75	NXZ32M12
					M12x1.25	NXZ32M12F
52	40	26	12	20	M12x1.75	NXZ40M12
					M12x1.25	NXZ40M12F
					M16x2	NXZ40M16
					M16x1.5	NXZ40M16F
64	50	32	14	25	M16x2	NXZ50M16
					M16x1.5	NXZ50M16F
					M20x2.5	NXZ50M20
					M20x1.5	NXZ50M20F
79	62	42	17	30	M20x2.5	NXZ62M20
					M20x1.5	NXZ62M20F
					M27x3	NXZ62M27
					M27x2	NXZ62M27F
99	79	52	20	40	M27x3	NXZ79M27
					M27x2	NXZ79M27F
					M33x3.5	NXZ79M33
					M33x2	NXZ79M33F
119	95	64	24	50	M33x3.5	NXZ95M33
					M33x2	NXZ95M33F
					M42x4.5	NXZ95M42
					M42x2	NXZ95M42F
150	122	80	28	63	M42x4.5	NXZ122M42
					M42x2	NXZ122M42F
					M48x5	NXZ122M48
					M52x2	NXZ122M52F



NOTES





HEADQUARTERS:
HYDRAULIQUE PRODUCTION SYSTEMS
 62, chemin de la Chapelle Saint-Antoine
 Z.A.C.- 95300 Ennery - FRANCE
 Tel : +33 134 353 838
 Fax : +33 130 750 808
 Email : hps@hpsinternational.com
www.hpsinternational.com



HYDROPNEU GmbH
 Sudetenstraße 1 D - 73760 Ostfildern
 Tel: +49 7113 42 99 90
 Fax: +49 7113 42 99 91
 Email : info@hydropneu.de
www.hydropneu.de



HP SYSTEMS POLSKA
 Wojska Polskiego 2A
 PL 05-220 Zielonka
 Tel: +48 226 143 411
 Email : hps@hps-polska.pl



HPS In CZECH REPUBLIC
 Náměstí Svaté Hedviky 2232/18
 746 01 Opava
 Tel: 00420/737 209 730
 Email : HPS-CzechRep@hpsinternational.com



ACIM Hydro
 1, rue des VAB 42400 Saint Chamond
 Tel : +33 477 366 688
 Email : acimhydro@acimhydro.fr
www.acimhydro.fr



HPS ITALIA
 Via S. Lucia, 9 - 24128 Bergamo - ITALIA
 Tel: +39 035 063 0962
 Email : hps-it@hpsinternational.com



HPS In TURKIYE
 Teori Engineering and Consultancy
 Akse Mah. 69. sok. Park Panorama Rezidans No:77/33
 Cayirova - Kocaeli - TURKEY
 Tel: +905054946938 - Sinan Sutcu
 Email : hps-turkiye@sinansutcu.com



HPS JARRY, LDA
 Rua Alcorredores - Edifício Onix - Fração E
 3020-923 Torre De Vilela - PORTUGAL
 Tel : +351 239 910 030
 Email : hps-portugal@hpsinternational.com



HPS ASIA / HPS SHENZEN LIMITED
 Floor 1, Industrial Building 2, Furong 7th Rd
 Furong Industrial Zone, Shajin St,
 518103 Bao'an District - Shenzhen, Guangdong
 CHINA
 Tel: +86 755 2917 8531
 Fax: +86 755 2903 4152
 Email : hps@hps-china.com



HPS INDIA
 Shop n° 6, Morya Industrial Complex,
 T-201/1, Midc Bhosari
 411026 Pune
 Maharashtra - INDIA
 Tel : +91 9970124713
 Email : hps-india@hpsinternational.com



HPS NORTH AMERICA
 2850 Jefferson Blvd - Windsor, Ontario - N8T 3J2
 Tel: +1 226 674 4256
 Email : hps-na@hpsinternational.com




HPS MEXICO
 Torreón 321 Mitras Centro
 64460 Monterrey Nuevo León - Mexico
 Tel: +52 8140 405 009
 Email : hps-mexico@hp-systems.mx



HPS MERCOSUL
 Rua Maria Antônia C Ribeiro Dos Santos N°63
 CEP. 13086-746 Campinas - SP Brazil
 Tel: +55 19 3257 2039
 Email : hps-mercosul@hpsinternational.com

TECHNICAL & COMMERCIAL REQUEST
DEMANDES TECHNIQUES & COMMERCIALES / ANFRAGEN

Main contact / Contact principal <i>Hauptkontakt</i>	 https://www.hpsinternational.com/en/worldwide
2D/3D Data	
Quotation / Devis / <i>Anfrage</i>	
Specific cylinders / Vérins spécifiques <i>Spezialzylinder</i>	
Replace cylinders / Remplacement de vérins / <i>Ersatzzylinder</i>	We are present in 26 countries / Nous sommes présents dans 26 pays / <i>Wir sind in 26 Ländern vertreten</i> : Argentina, Brazil, Canada, Czech Republic, China, France, Germany, Hong Kong, India, Italy, Japan, Mexico, Morocco, Poland, Portugal, Romania, Russia, Slovakia, South Africa, South Korea, Spain, Taiwan, Thailand, Turkey, United Kingdom, and USA.